

TMPM037FWUG Evaluation Board Schematics

01. THIS SHEET
02. MCU TMPM037FWUG(Cortex-M0)
03. USER IO
04. DAP TMPM366FDXBG

TMPM037FWUG Port Assign

PA0 ...AIN0
 PA1 ...AIN1
 PA2-7...GPIO

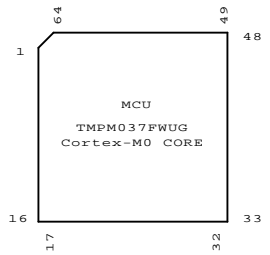
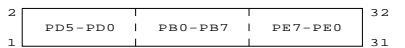
 PB0 ...BOOT
 PB1-2...SWD_I/F,UART(SC4)
 PB3-7...GPIO

 PC0-1...I2C_I/F
 PC2-5...LED(4bit)
 PD0-5...GPIO

 PE0-1...DipSW(2bit)
 PE2 ...GPIO
 PE3-4...UART(SC2)
 PE5-7...GPIO

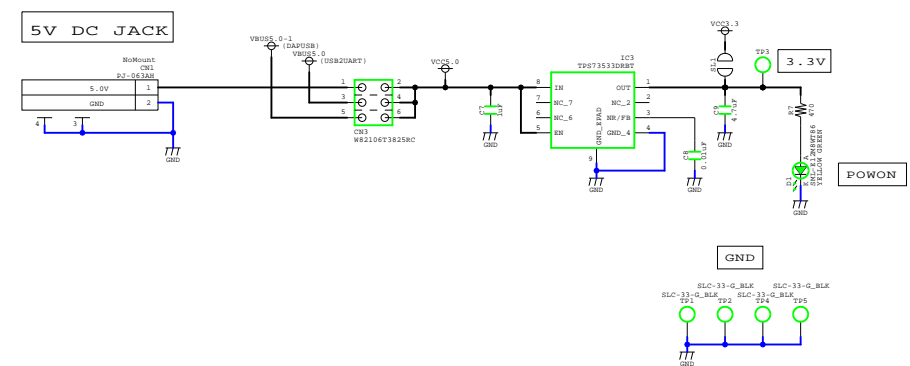
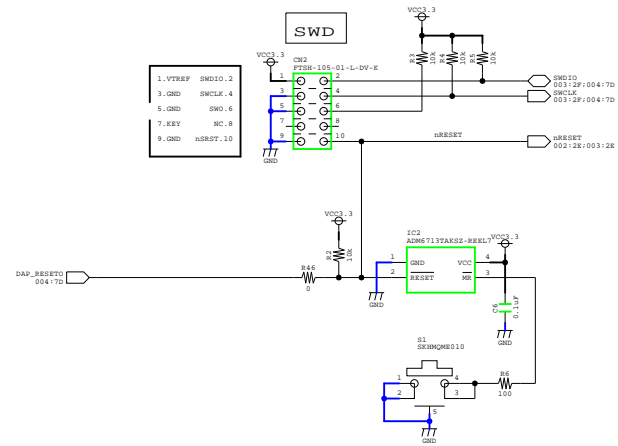
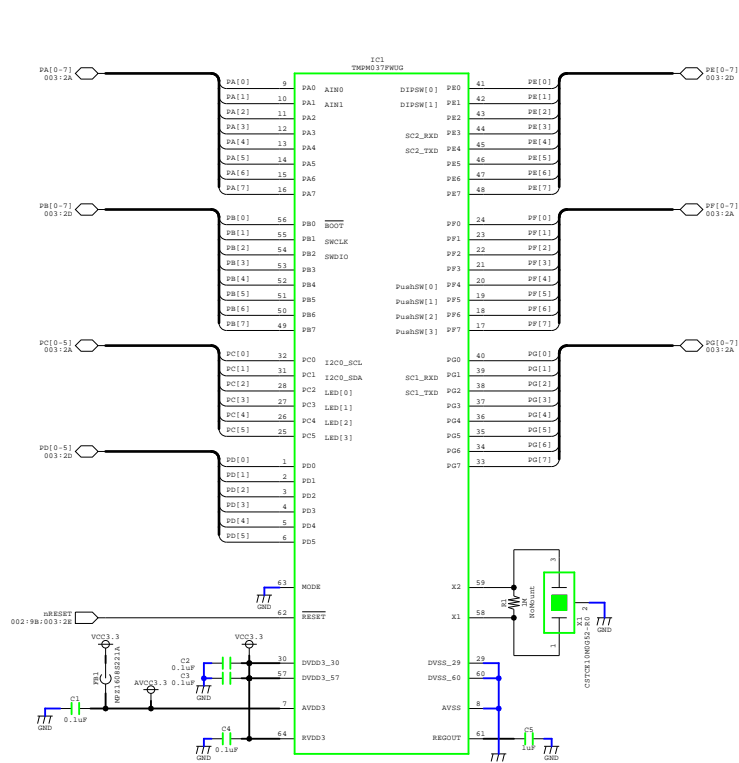
 PF0-3...GPIO
 PF4-7...PushSW(4bit)

 PG0 ...GPIO
 PG1-2...UART(SC1)
 PG3-7...GPIO



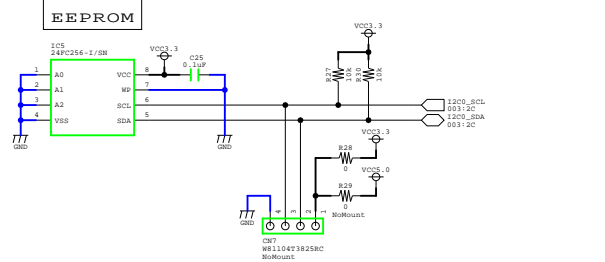
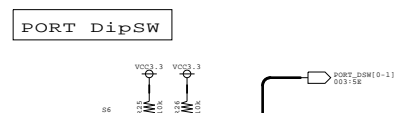
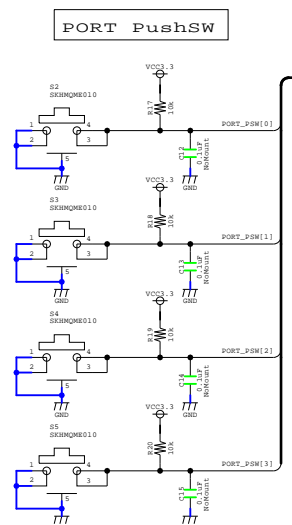
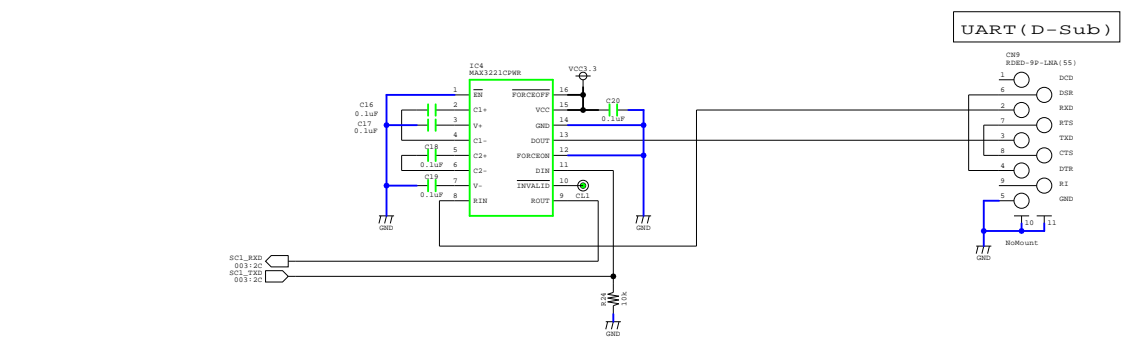
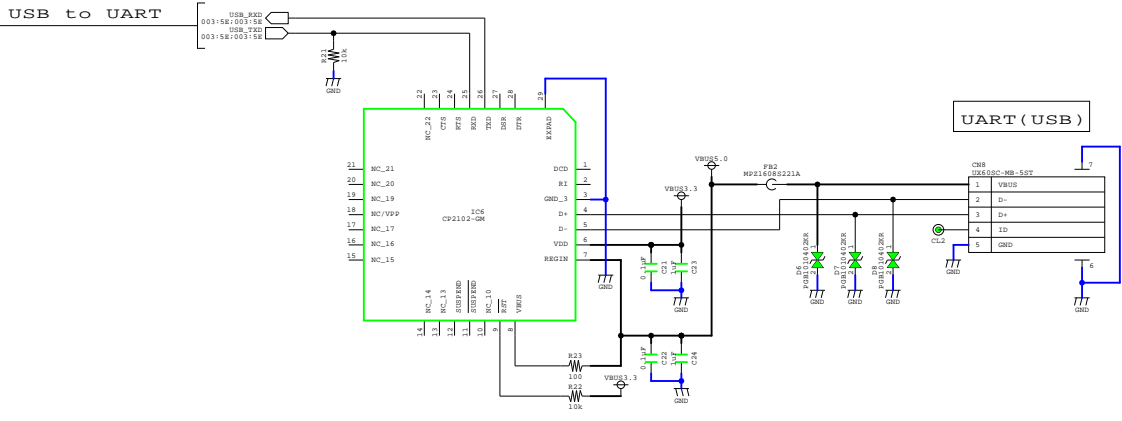
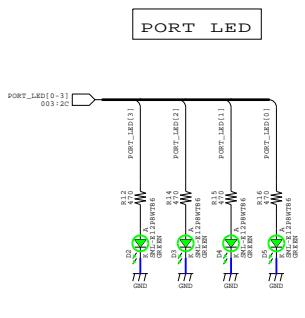
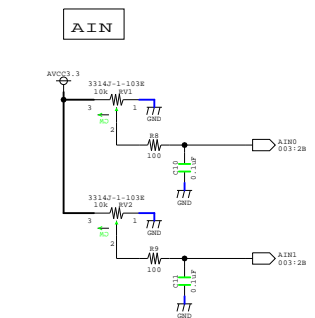
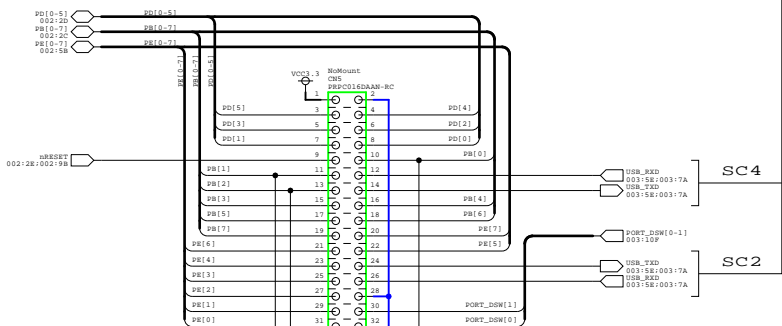
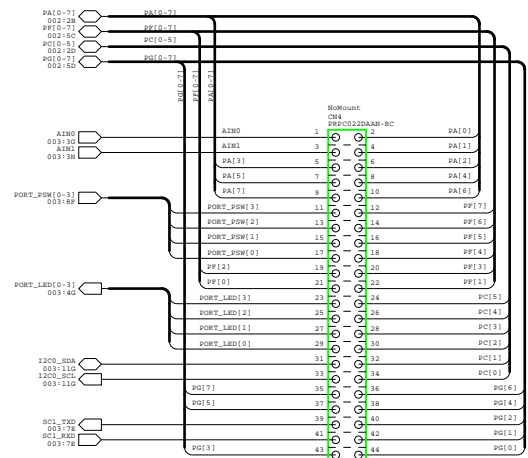
						Project
						Board Name
						TMPM037FWUG_REV04.cir /
Rev	Date	作成	確認	承認	変更内容	Page
	14/07/26 11:44:08 S.Yanaguchi					Page 1 of 4

02. MCU TMPM037FWUG (Cortex-M0)



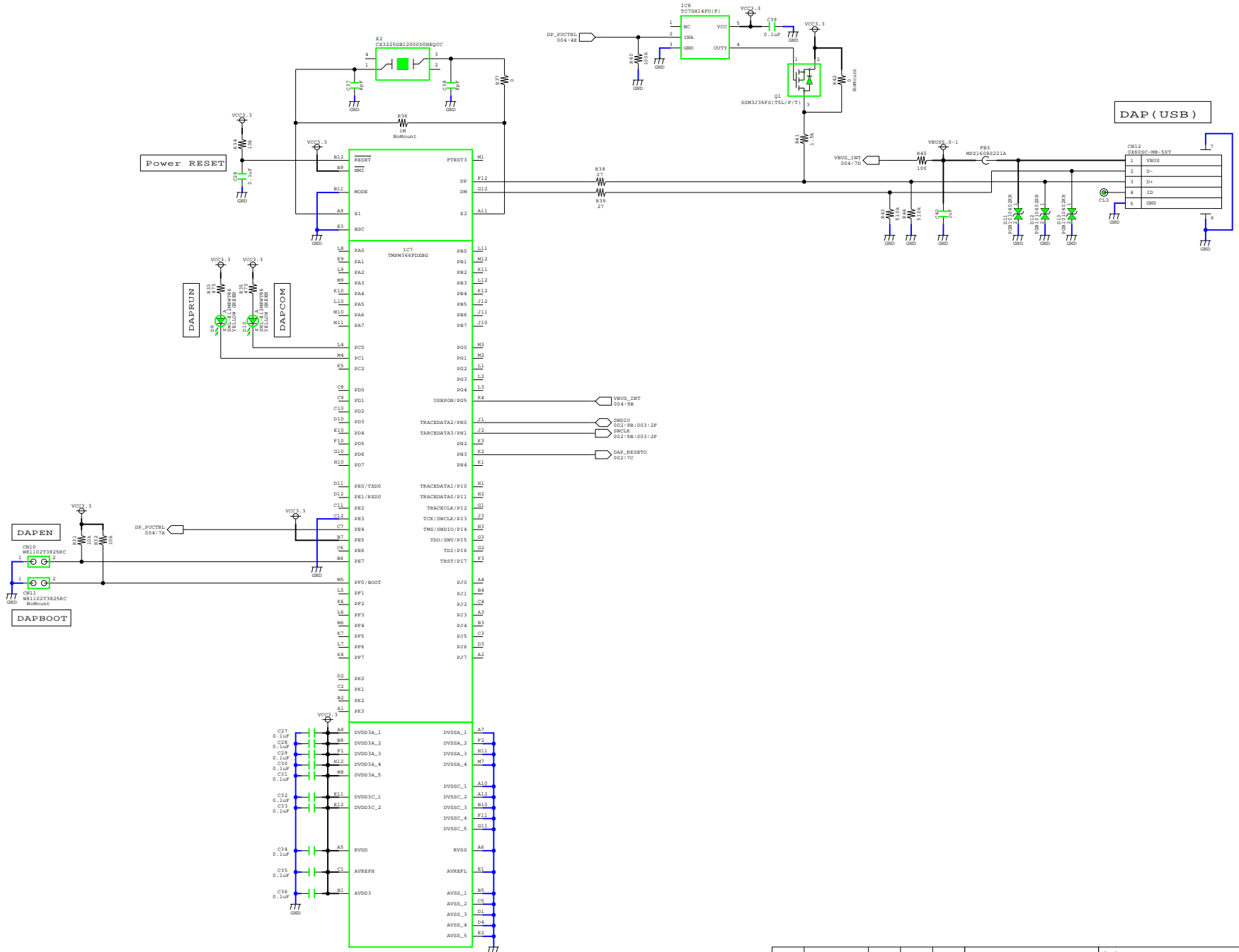
						Project
						Board Name
						TMPM037FWUG_REV04.cir
Rev	Date	作成	確認	承認	変更内容	Page
	14/07/26 11:44:09	S.Yanaguchi				Page 2 of 4

03. USER IO



Project					
Board Name					
TMPM037FWUG_REV04.cir /					
Rev	Date	作成	確認	承認	変更内容
	14/07/26 11:44:09	S.Yanaguchi			
Page					Page 3 of 4

04. DAP TMPM366FDXBG



						Project
						Board Name
						TMPM037FWUG_REV04.cir /
Rev	Date	作成	確認	承認	変更内容	Page
	14/07/26 11:44:03	S.Yanaguchi				Page 4 of 4